

Multi Overview



Multi

α

Introduction

A technical luminaire that, thanks to its outstanding lighting properties and good looks, has endless application opportunities – hence the name!

IP65 industrial LED luminaire with a specialised optical system for improved performance and visual comfort. cost-effective, low-maintenance and low-glare design minimises shadowing and delivers multiple benefits to the client and occupants. Fully surface mounted with smooth vertical-sided housing for Primary Industry applications.

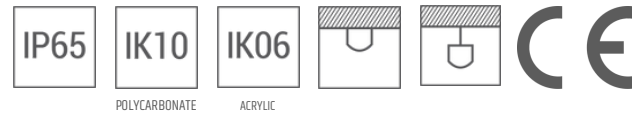
Applications:

- Carpark entries and transition zones
- Gas station canopies
- Loading docks
- General industrial
- Multi purpose indoor sports
- Food preparation areas
- Cool Rooms
- Cold Rooms
- Workshops

Unique Features:

- Uses Architech's unique faceted refractor for outstanding light output, low-glare properties and broad distribution.
- IP65 construction for wet, cold or humid environments.
- Integrated pressure compensation filter eliminates condensation and contaminants.
- Shallow profile to suit lower mounting heights.
- Available with MelaGen® Active.
- Comes surface mounted as standard, option for suspension kit.

Multi



Design

Low-profile, extruded, rolled and welded aluminium housing, sealed and powder coated white. Aluminium body and backplate with unique 'twist and lock' mounting method for simple installation, including IP68 cable entry gland and integrated cord grip.

Lens Options

Sealed acrylic lens for high quality, low glare illumination

IK10 Polycarbonate lens available for non-food applications, and applications where impact may be a concern

Beam Angle

Broad distribution

Colour Temperature

4000K CRI80

4200K MelaGen Active CRI90

Control Options

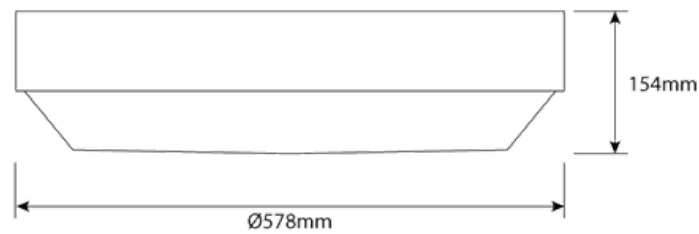
Fixed output driver
DALI dimmable driver
Integrated microwave motion sensor option

Electrical

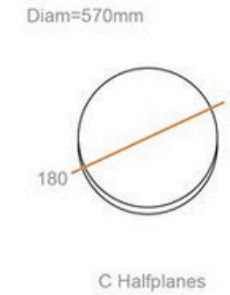
Wattage 75W - 150W

Outputs

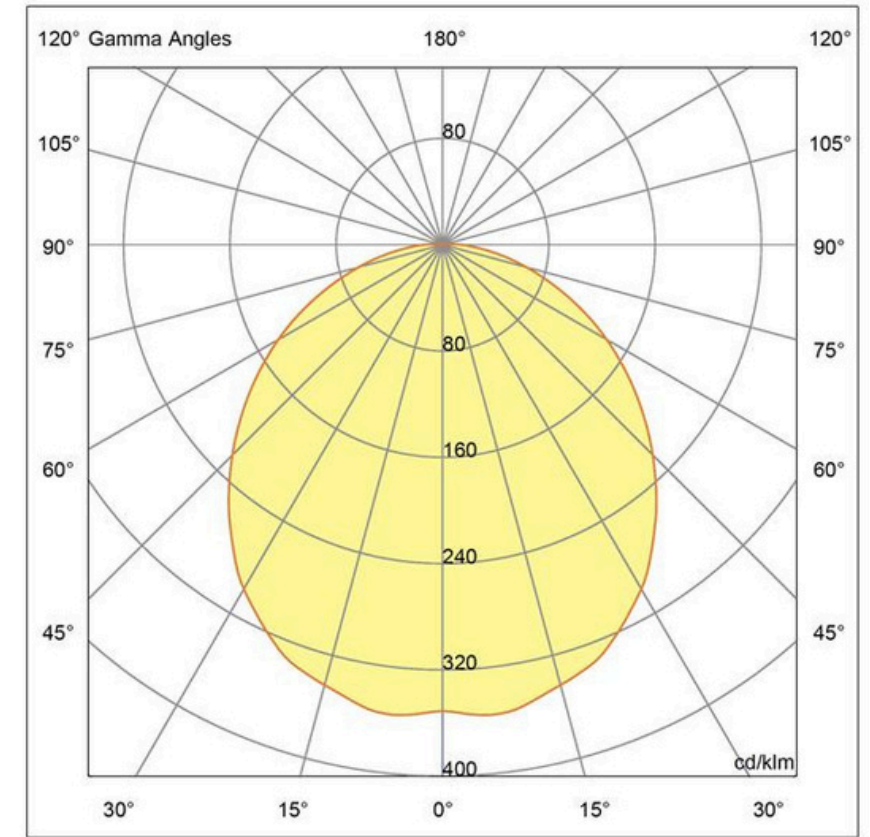
Up to 25,000lm fixture output
> 164lm/W efficacy



Polar Curve

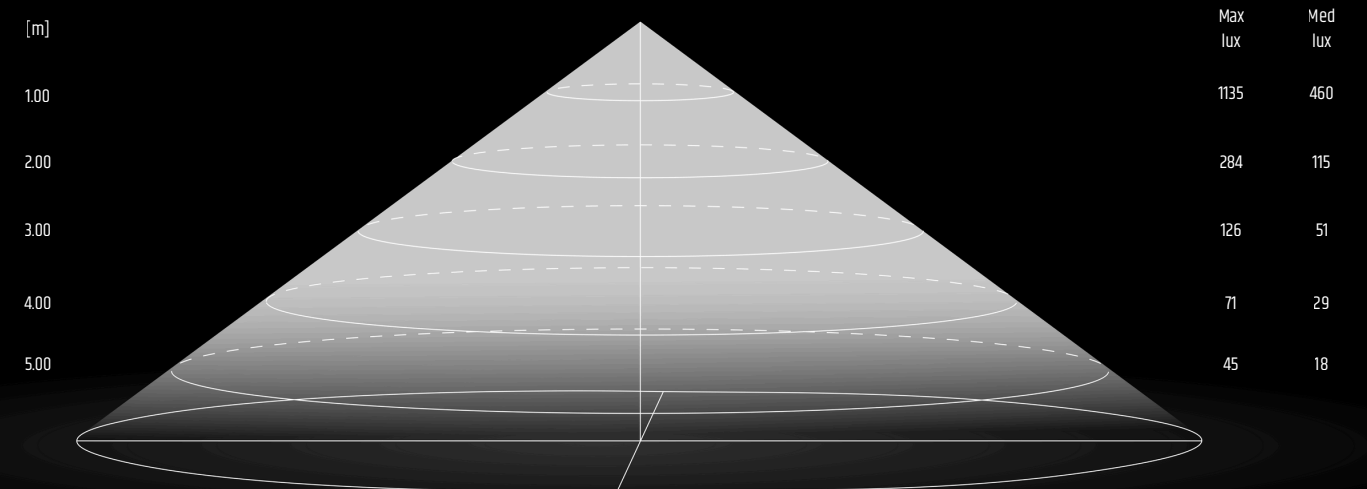


Flux 24613 lm
Maximum 355.79 cd/klm
Position C=0.00 G=6.00
Efficiency: 100.01%
Date: 30-06-2025
Rotosymmetrical



Multi Optic

Photometry from MULTIMA.0675xx.4080A.1



Multi Specification



The Multi Range

Specifying a Multi can be done by listing the variations as per below:

Product Name | Lens . Output | Control . CCT | CRI | REF . Finish . Optional (if needed)

| Standard Combinations Table | | MULTI | Code |
|-----------------------------|--|---------------------|------|
| | | MULTIM | |
| | | ● Standard Offering | |
| | | ○ No Cost Option | |
| | | + Adder Option | |
| Lens | Acrylic | ● | A |
| | Polycarbonate | ○ | P |
| Output | 350mA | ● | 0350 |
| | 500mA | ○ | 0500 |
| | 675mA | ○ | 0675 |
| Control | Fixed | ● | F0 |
| | DALI Dimmable | + | DD |
| CCT | 4000K | ● | 40 |
| | MelaGen® Active (Ra90 only) | + | BL |
| CRI | Ra80 | ● | 80 |
| | Ra90 | ○ | 90 |
| Internal Reference | | ● | A |
| Finish | White | ● | 1 |
| Sensor (optional) | Fixed Output Integrated Microwave Sensor (add suffix) | + | FMS |
| | DALI Integrated Microwave Sensor (DALI only, add suffix) | + | DMS |

Accessory: Suspension bracket + eyebolt with flex

Code: MULTIM.SB.EBF

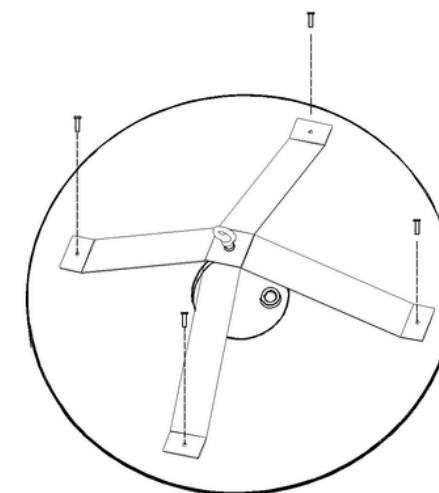
Example Sales Reference: **MULTIMA.0350F0.4080A.1**

Description: **MULTI Acrylic 350mA Fixed Output 4000K Ra80 Internal reference (A) White (1)**

| PRODUCT | WATTAGE | LUMENS |
|------------------------|---------|----------|
| MULTIMA.0350xx.4080A.1 | 75W | 12,800lm |
| MULTIMA.0500xx.4080A.1 | 110W | 18,300lm |
| MULTIMA.0675xx.4080A.1 | 150W | 24,600lm |
| MULTIMP.0350xx.4080A.1 | 75W | 11,900lm |
| MULTIMP.0500xx.4080A.1 | 110W | 16,900lm |
| MULTIMP.0675xx.4080A.1 | 150W | 22,800lm |

Accessory: Suspension bracket + eyebolt with flex.

Use code to order: MULTIM.SB.EBF



HEAD OFFICE

Via Simone Schiaffino, 11/19

20158 Milano

Tel. +39 02 36591961

Tel. +39 02 36591979

enquiries@architech.lighting

α